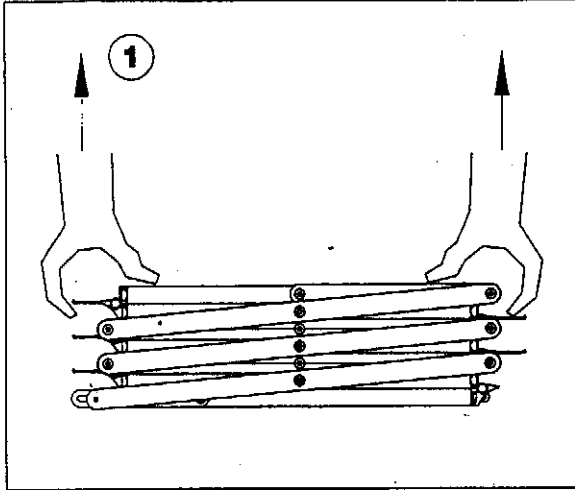


# Leaflet stand, folding

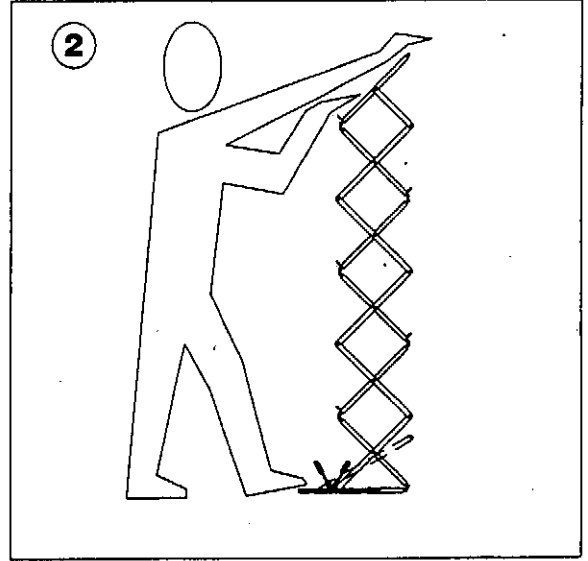
How to handle the leaflet stand

## Assembly Instructions

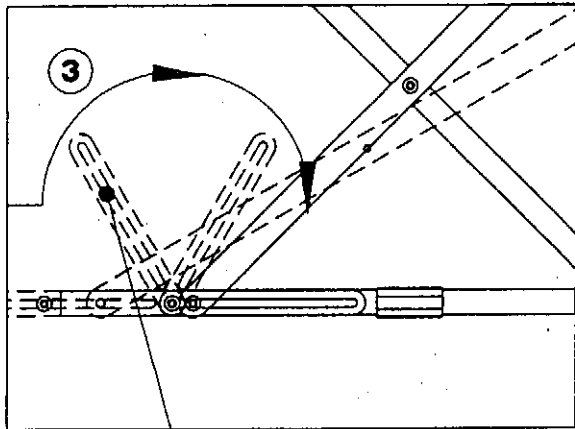


Take hold of both ends of the frame and lift upwards.

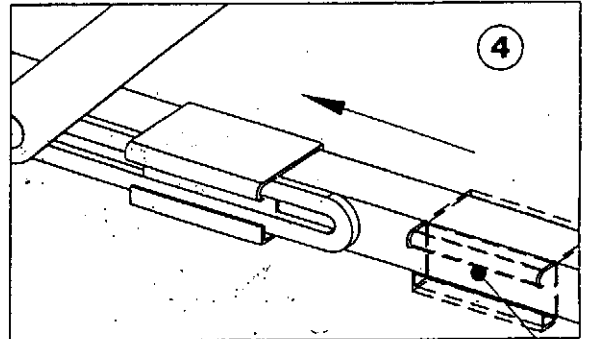
**NEVER** hold the stand anywhere else



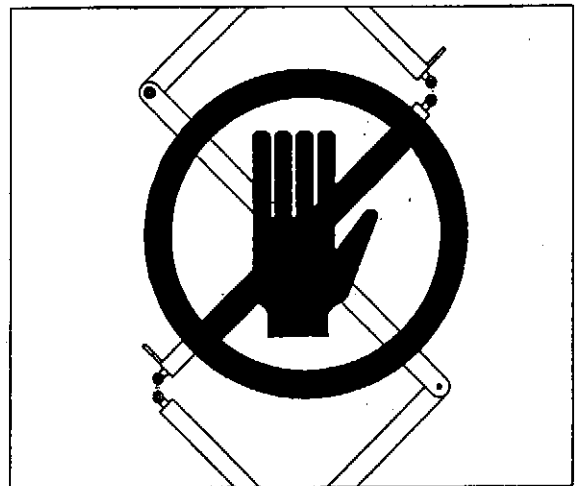
Place a foot on the base of the stand. Lift up as far as possible and tilt backwards then forwards a little to allow the locking mechanism to work.



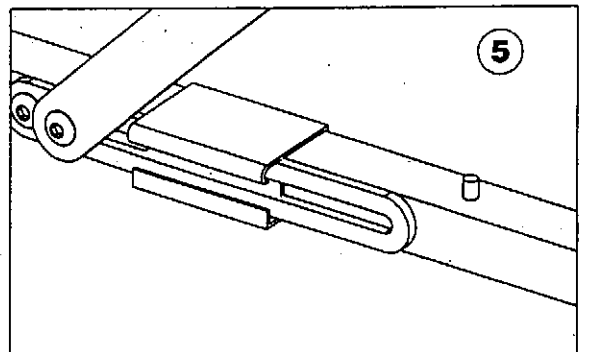
The locking arm slides along the bottom framework.



To secure the stand, slide the lock over the locking arm with a foot.



**WARNING!** do not hold the stand by the 'criss cross' frame at any time.  
Risk of serious damage to hands



A split will automatically pop up and secure the lock in position.

**Important!** always use the lock when stand is assembled

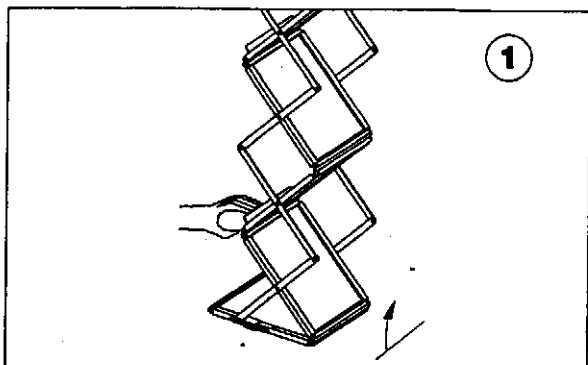
## Dis-assembly

Turn the page for dis-assembly

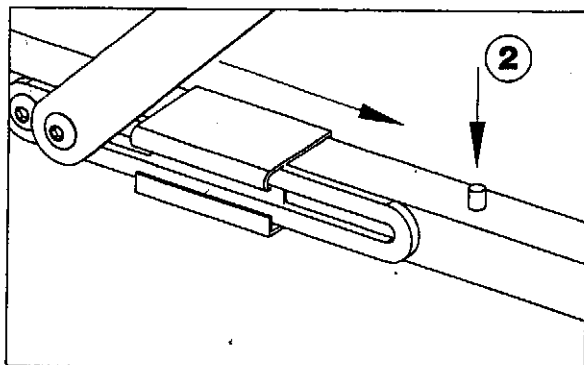
# Leaflet stand, folding

How to handle the leaflet stand

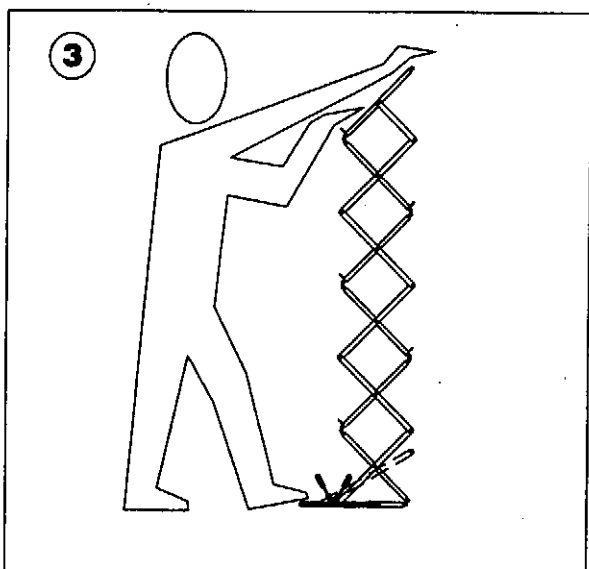
## Dis-assembly Instructions



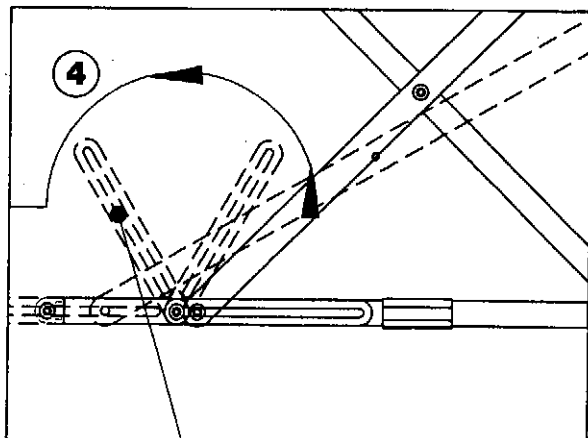
Gently tilt the stand by holding at the end of a frame



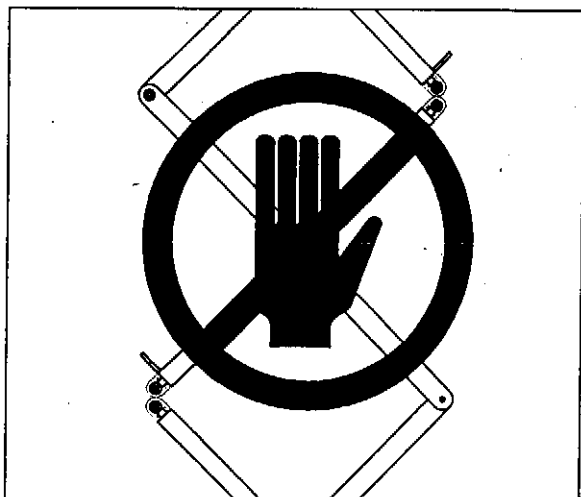
Push down on the split and slide the lock away from the locking arm using your hands. The lock should cover the split. To prevent accidents, stand up, hold the stand securely while using your foot to slide the lock all the way until it stops. **WARNING!** the stand is now unsecured and will crash down if released prematurely.



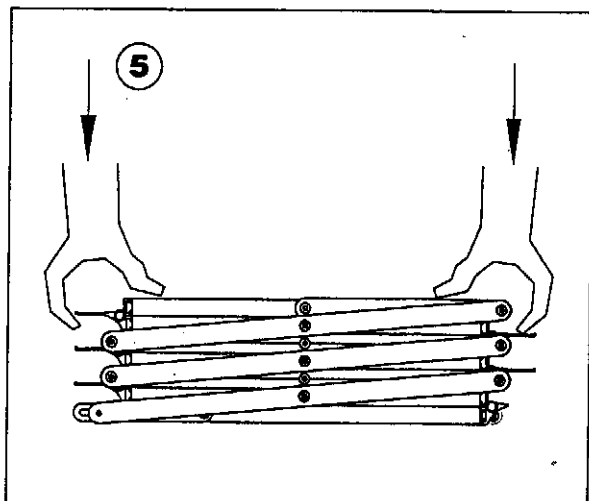
Place a foot on the base of the stand. Lift up as far as possible and tilt backwards a little then forwards to allow the locking mechanism to unlock.



The locking arm slides along the bottom framework.



**WARNING!** do not hold the stand by the 'criss cross' frame at any time. Risk of serious damage to hands



Fold the stand slowly together. Take care not to get fingers caught between frames